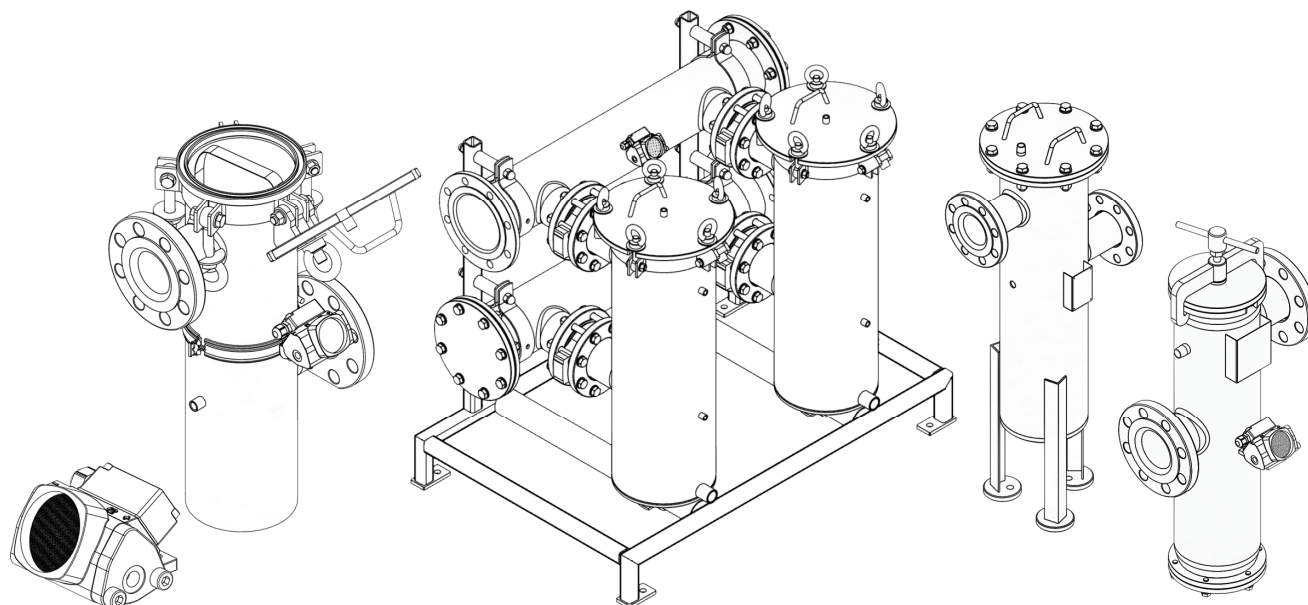


Canister**FILTER** in size 111,112,113,114

Mechanical fluid filters



Product description:

CanisterFILTER of the type 130 and 140 offer a cost-efficient alternative to our automatic self-cleaning filters from the **aquaPROFI** line. The housing—the so called canister—can hold different sizes of filter screen caskets, depending on design an application. The fineness of a reusable screen casket starts at 2 μm .

A manometer monitors the differential pressure and signals when the filter needs a service and cleaning of the screen casket. Using a quick lock system, the filter lid is easily opened—without any special tools or resources. The piping connection can be designed as external threat starting from 1" or fix and loose flanges. The exact design of the connections can be realized individually.

Configuration:

The heart of our **CanisterFILTER** is the screen casket. It can be removed by pulling the handle after opening the filter lid. The filter screen on the inside can now be rinsed easily.

We individually build each filter casket fitting your unique requirements, depending on your application. Therefore, the relation between flow rate, fineness and dirt load must be considered and discussed.

Over the years, the following sizes have become standards:

- ▶ TF130111s > 100 μm > 100 m^3/h
- ▶ TF130112s > 100 μm > 150 m^3/h
- ▶ TF130113s > 100 μm > 200 m^3/h
- ▶ TF130114s > 100 μm > 250 m^3/h

FILTERPROFITLICH
Maschinenbau für Filtrationstechnik

Filter Profitlich Maschinenbau GmbH
Am Honnefer Kreuz 59 • 53604 Bad Honnef • Germany
Phone: +49 2224 9373-0 • Fax: +49 2224 9373-15
E-Mail: info@filterprofi.de • www.filterprofi.de

Technical data—Canister**FILTER**

Mechanical fluid filters

Konstruktion:

The construction of our **CanisterFILTER** is based on a modular system and is flexible and easy to adapt. We build single filters on your demands, to be integrated subsequently into your system without any foundation needed. We also offer twin filters in a parallel arrangement to secure the operation of your plant.

Redundance:

Twin filters bring the decisive advantage of having filtrate available continuously, even when a service is done on one of the filters. While one filter is shut off the piping system by valves, the complete water stream flows over the second unit. Special instruments for drainage and ventilation provide a simple and quick exchange of the screen caskets.

Technical data:

Filtration:	By operating pressure (from inside out)
Housing material:	St37 coated, 1.4301, 1.4571
Piping connections:	R1", R2", DN65, DN80, DN100, DN125 (others on request)
Finenesses:	1-1000 µm
Filter tissue:	1.4401 or 1.4404
Filter size:	Gr.10 = 800cm², Gr11s = 1200, Gr12s = 1900, Gr.13s = 3500, Gr.14s = 5200
Cleansing:	Rinsing of the screen caskets
Maximum operating pressure:	10 bar (others on request)
Maximum operating temperature:	-10°C to +110°C
Accessories:	Differential pressure monitor, differential pressure sensor, shut off valves (manual, electric or pneumatic)

Characteristics:

- ▶ Cost-efficient investment
- ▶ stainless steel or coated steel
- ▶ Flexible adaption to your demands
- ▶ Canister filter can serve as distributor
- ▶ No electrical wiring required
- ▶ Continuous monitoring of the differential pressure
- ▶ Distinct and clear sign when a service is required, by electrical or optical signal

Please contact us to find the fitting screen size for your filter.